



JENTON
ariana
OEM CONVERGERS

*'Jenton Ariana, turning
muti-lane into single lane..
The most economic solution
for converging thermoformed
packs into a single line.'*

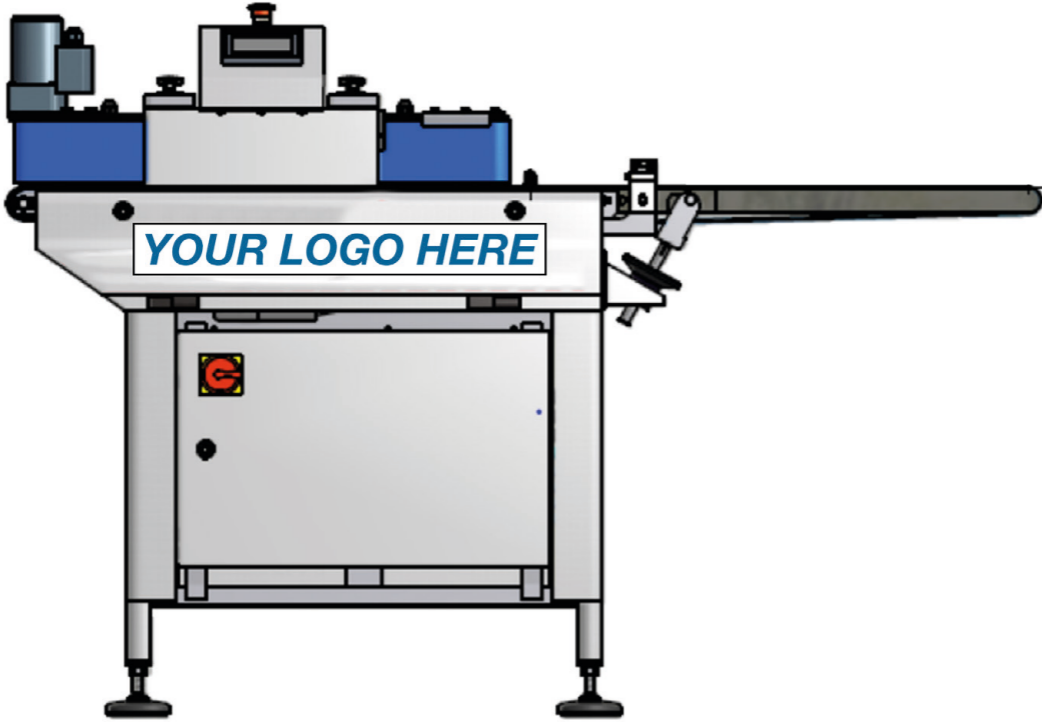


JENTON *ariana*

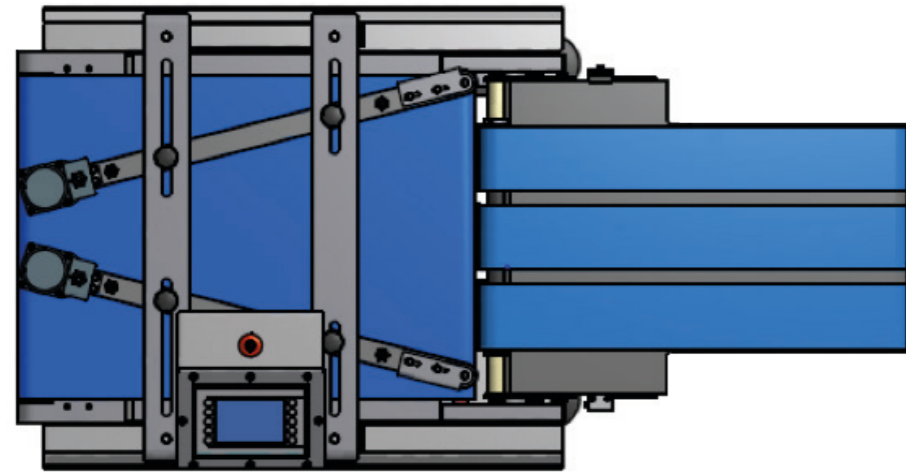
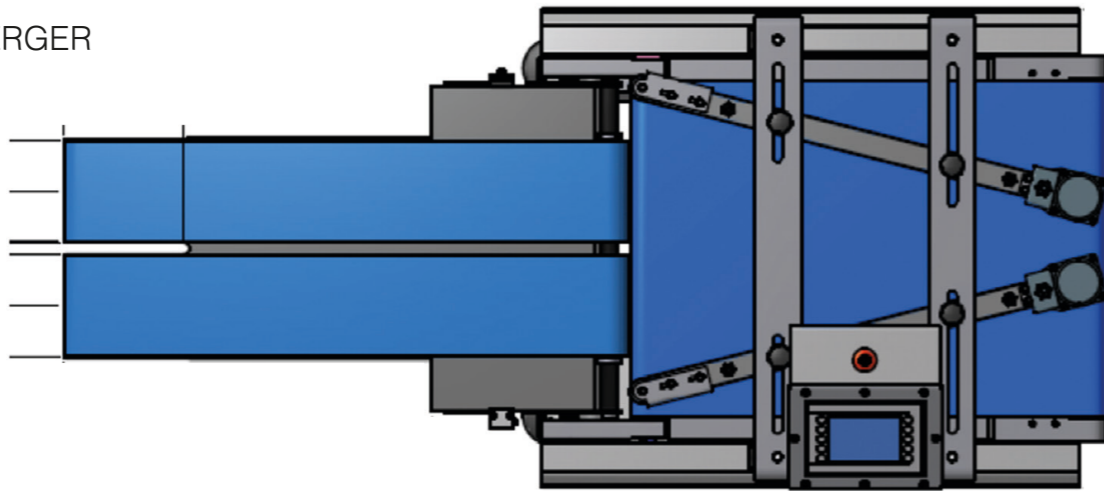
OEM Converggers

With over 200 variations of our OEM converggers sold and delivered Jenton Group can make converggers/Inliners for you! With up to 180 packs per minute on a standard machine there is no need for extra in-feed belts.

Designed and Built in the UK.



BCS 570 2 LANE CONVERGER



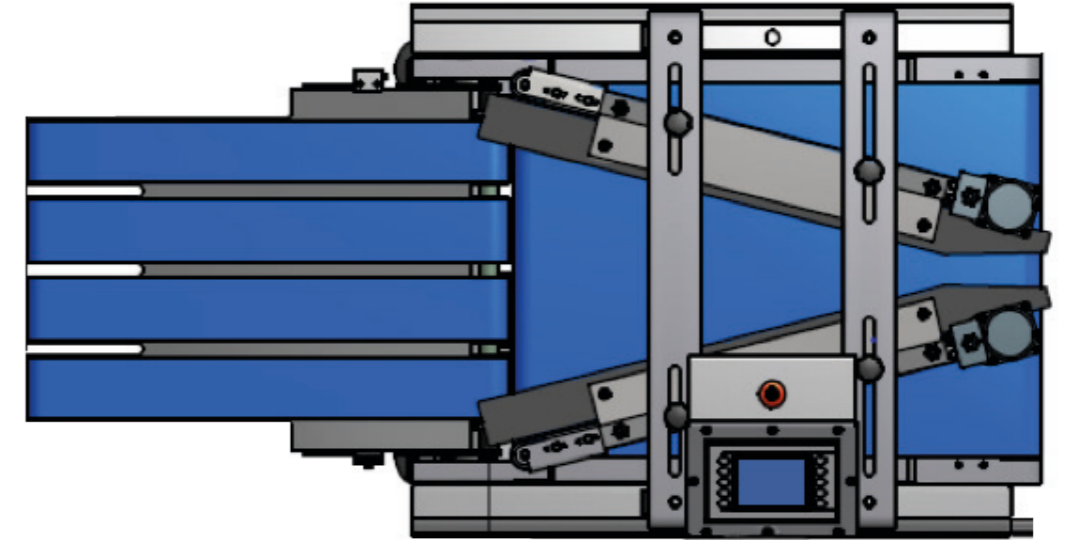
BCS 570 3 LANE CONVERGER

BCS 670 3 LANE CONVERGER

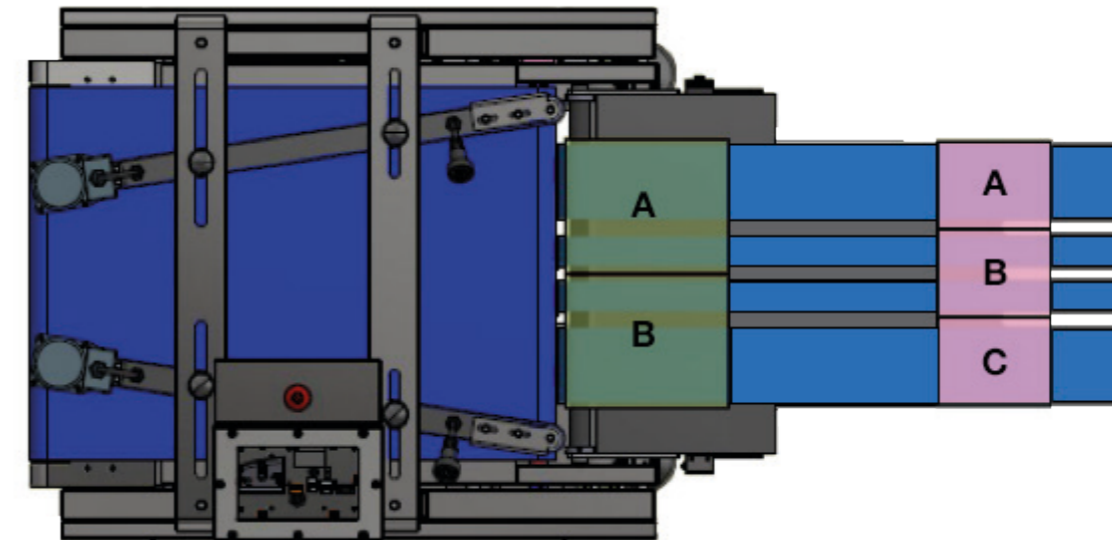


BCS 570 4 LANE CONVERGER

BCS 670 4 LANE CONVERGER

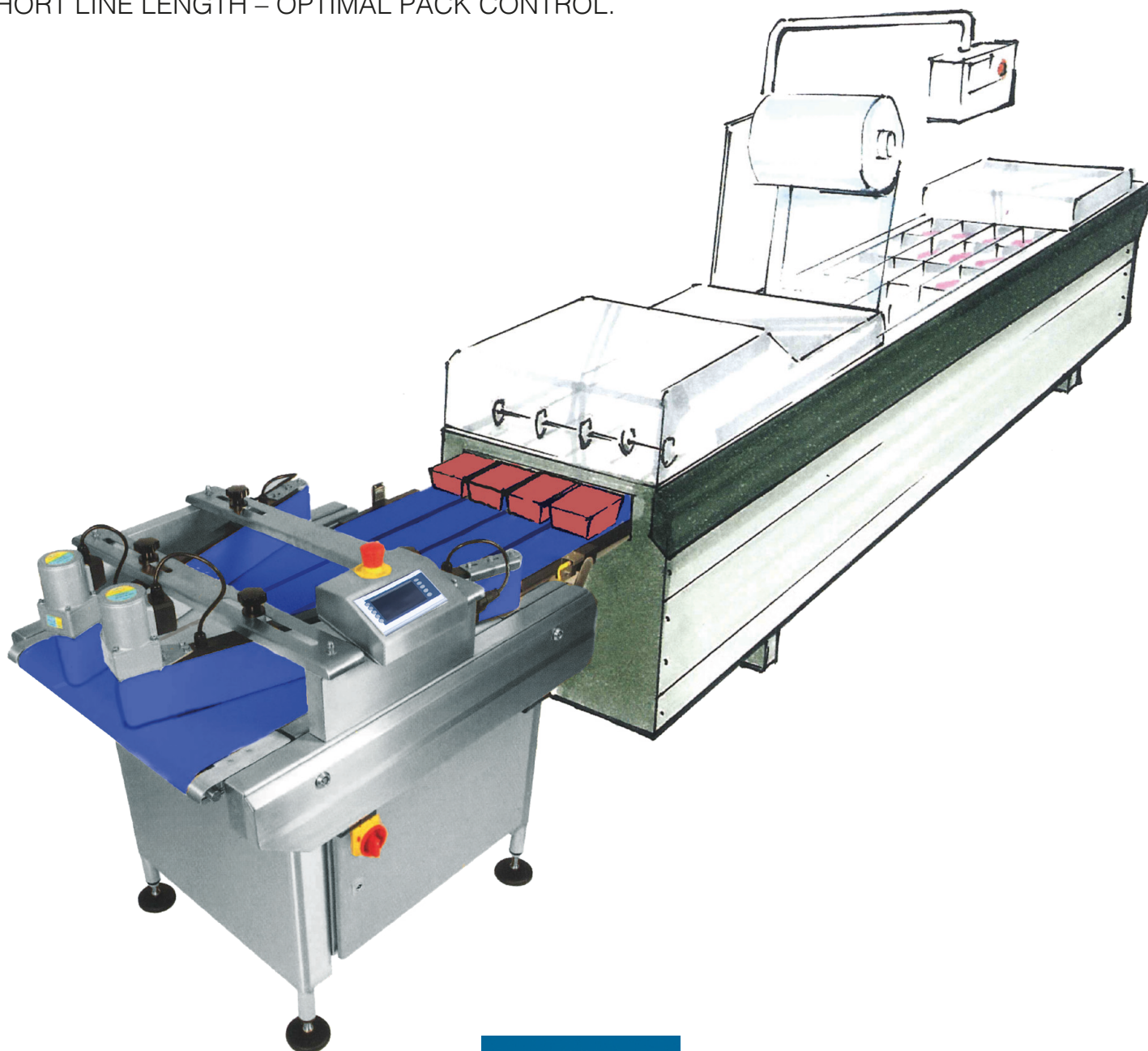


BCS 570 CONVERGER 4 BELT
SWITCHABLE 2 LANE / 3 LANE



CLASSIC INSTALLATION – DIRECT FEED FROM THERMOFORMER

SHORT LINE LENGTH – OPTIMAL PACK CONTROL.



**JENTON
GROUP**

DISTRIBUTORS WANTED!

Contact Richard Little: +44 (0)7720076690 rlittle@jenton.co.uk

   @JENTONGROUP  SALES@JENTON.CO.UK  01256 892194  JENTON.CO.UK

Unit 9/10 Ardglan Industrial Estate, Evingar Road, Whitchurch, Hampshire, RG28 7BB